

# THE GENOME BROWSER – UNDER THE HOOD

The image shows a screenshot of the UCSC Genome Browser interface. The browser window title is "Human chr5:70,256,524-70,284,592 - UCSC Genome Browser v134 - Konqueror". The address bar contains the URL "id=73350821&knownGene=full". The browser's address bar shows the location "Human chr5:70,256,524-70,284,592...".

The main content area has a navigation bar with links: Home, Genomes, Blat, Tables, Gene Sorter, PCR, DNA, Convert, PDF/PS, Help. Below this is the title "UCSC Genome Browser on Human Mar. 2006 Assembly".

Navigation controls include "move" buttons (left and right arrows), "zoom in" buttons (1.5x, 3x, 10x, base), and "zoom out" buttons (1.5x, 3x). A "10x" button is also present. The "position/search" field contains "chr5:70,256,524-70,284,592", with "jump", "clear", and "size 28,069 bp." buttons. A "configure" button is also visible.

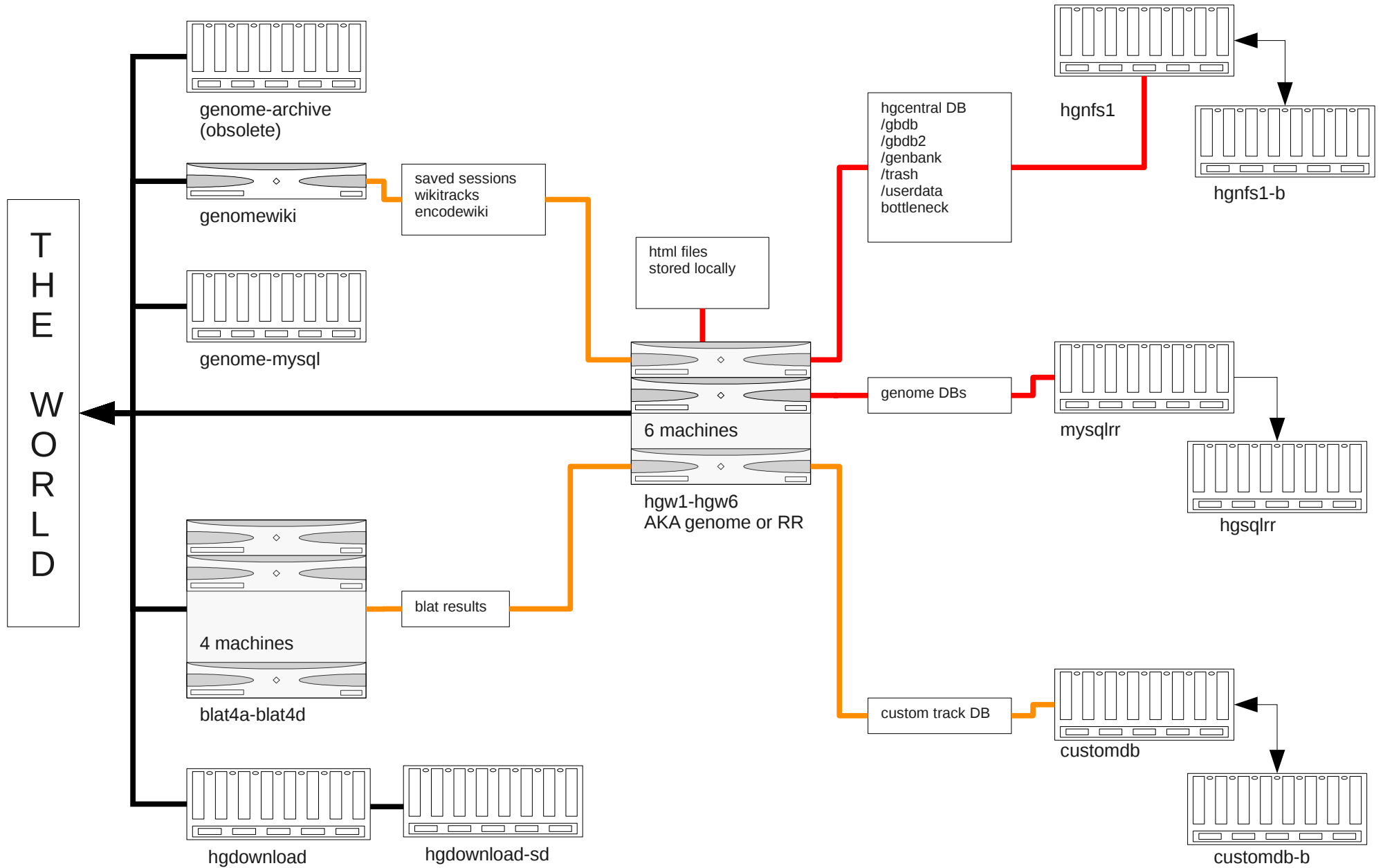
A chromosome ideogram for "chr5 (q13.2)" is shown, with a red vertical line indicating the current view position. Below the ideogram is a track for "chr5: 70260000 | 70265000 | 70270000 | 70275000 | 70280000".

The main data tracks include:

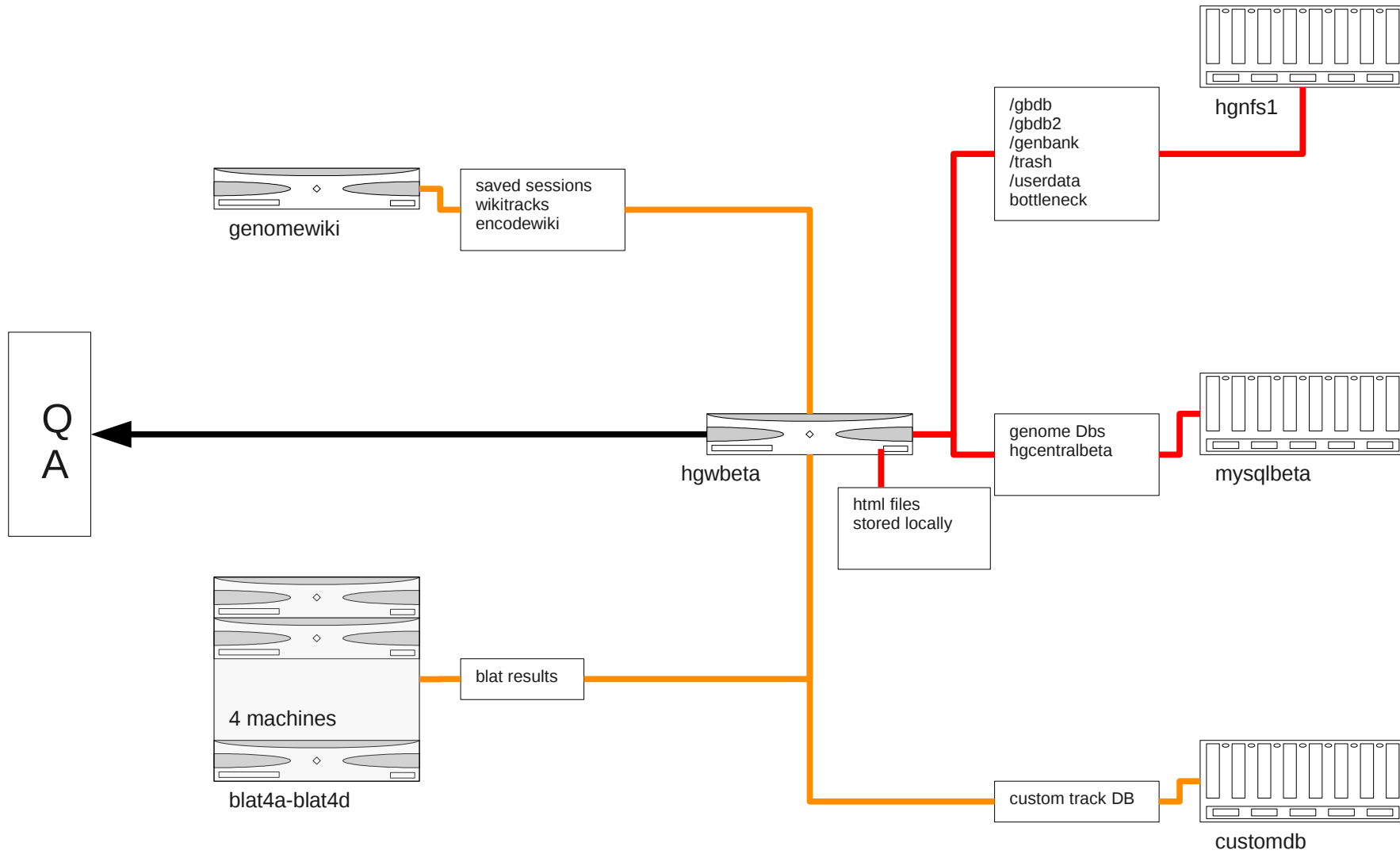
- STS Markers: STS Markers on Genetic (blue) and Radiation Hybrid (black) Maps
- UCSC Known Genes Based on UniProt, RefSeq, and GenBank mRNA: AK130833, SMN3, SMN1, SMN2, SMN1, SMN2
- RefSeq Genes
- Human mRNAs from GenBank
- Human ESTs That Have Been Spliced
- Vertebrate Multiz Alignment & Conservation (17 Species): mouse, rat, rabbit, dog, armadillo, elephant, opossum, chicken

The URL at the bottom of the browser window is "http://genome.ucsc.edu/cgi-bin/hgc?hgsid=733...523&r=70284592&db=hg18&pix=620".

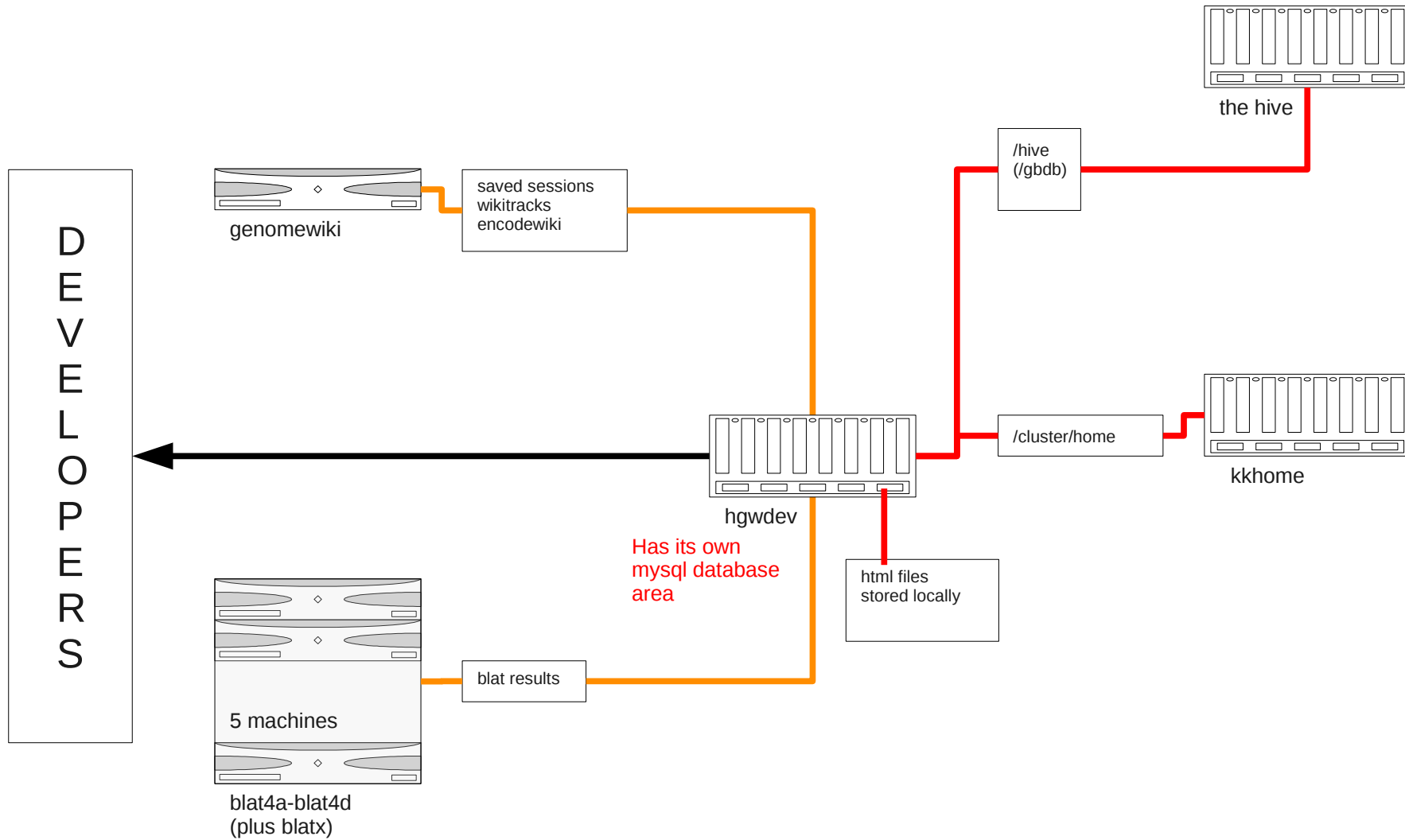
# GENOME BROWSER DEPENDENCIES



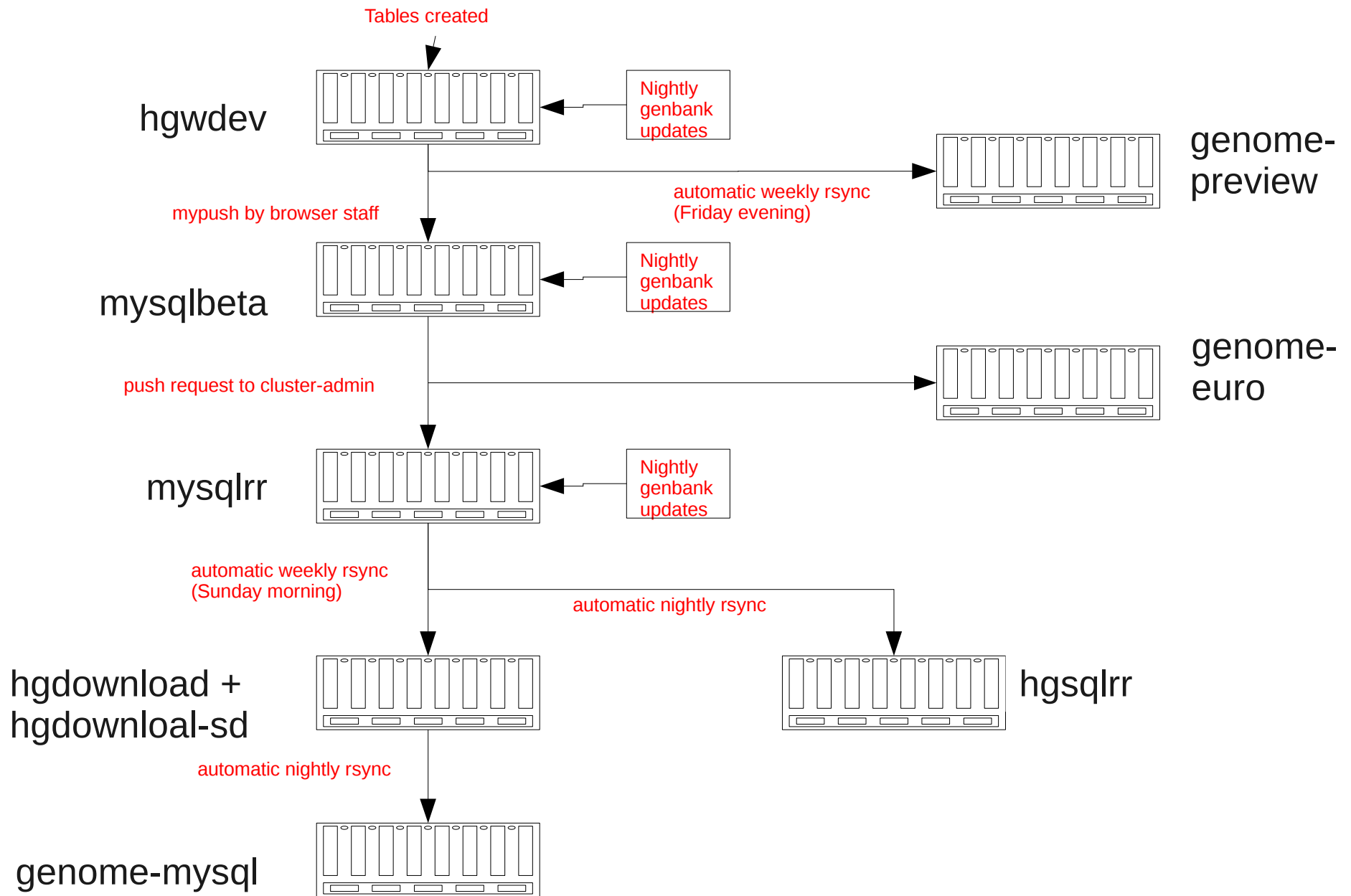
# BETA TESTING DEPENDENCIES



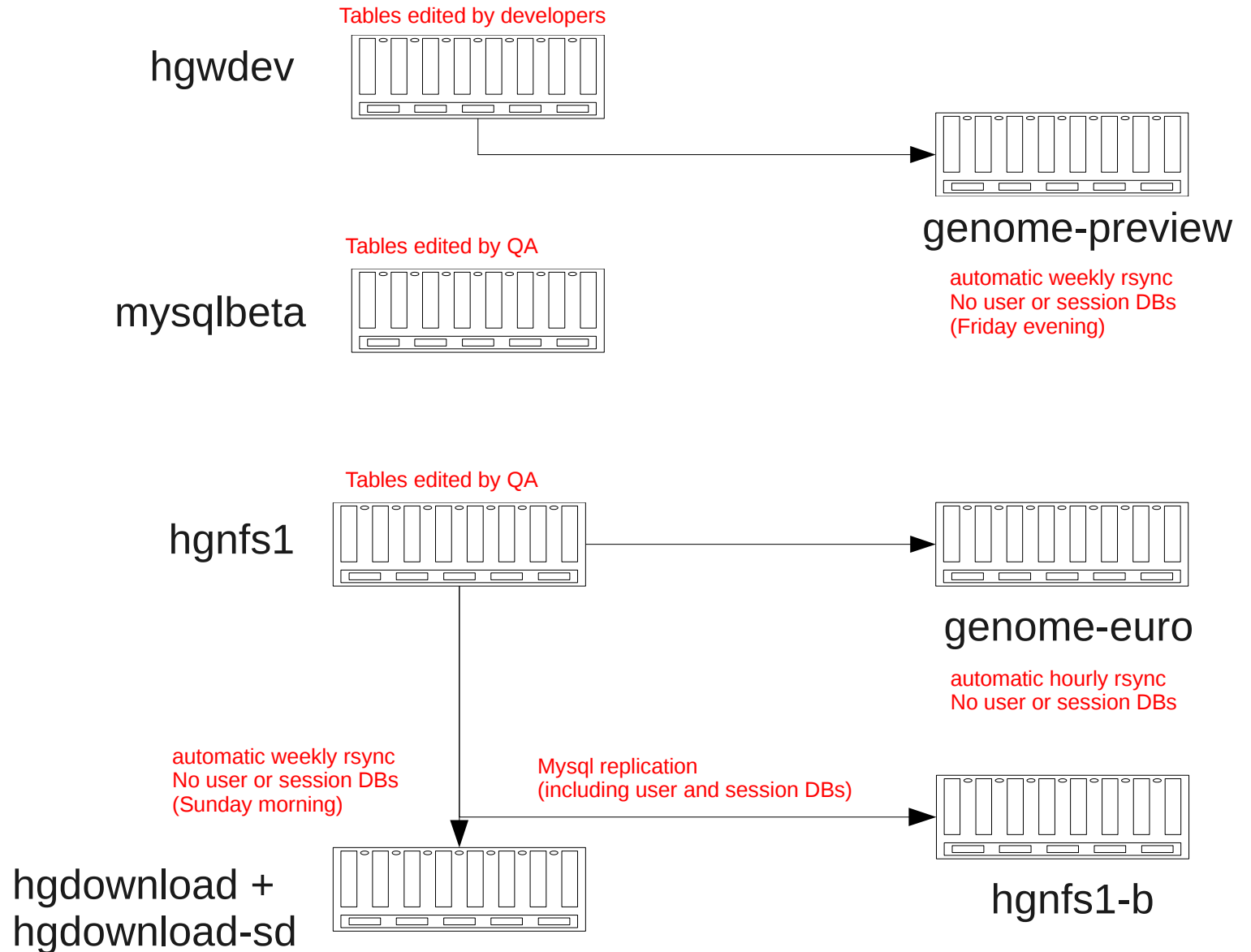
# BROWSER DEVELOPMENT DEPENDENCIES



# MYSQL DATA FLOW (EXCEPT HGCENTRAL)

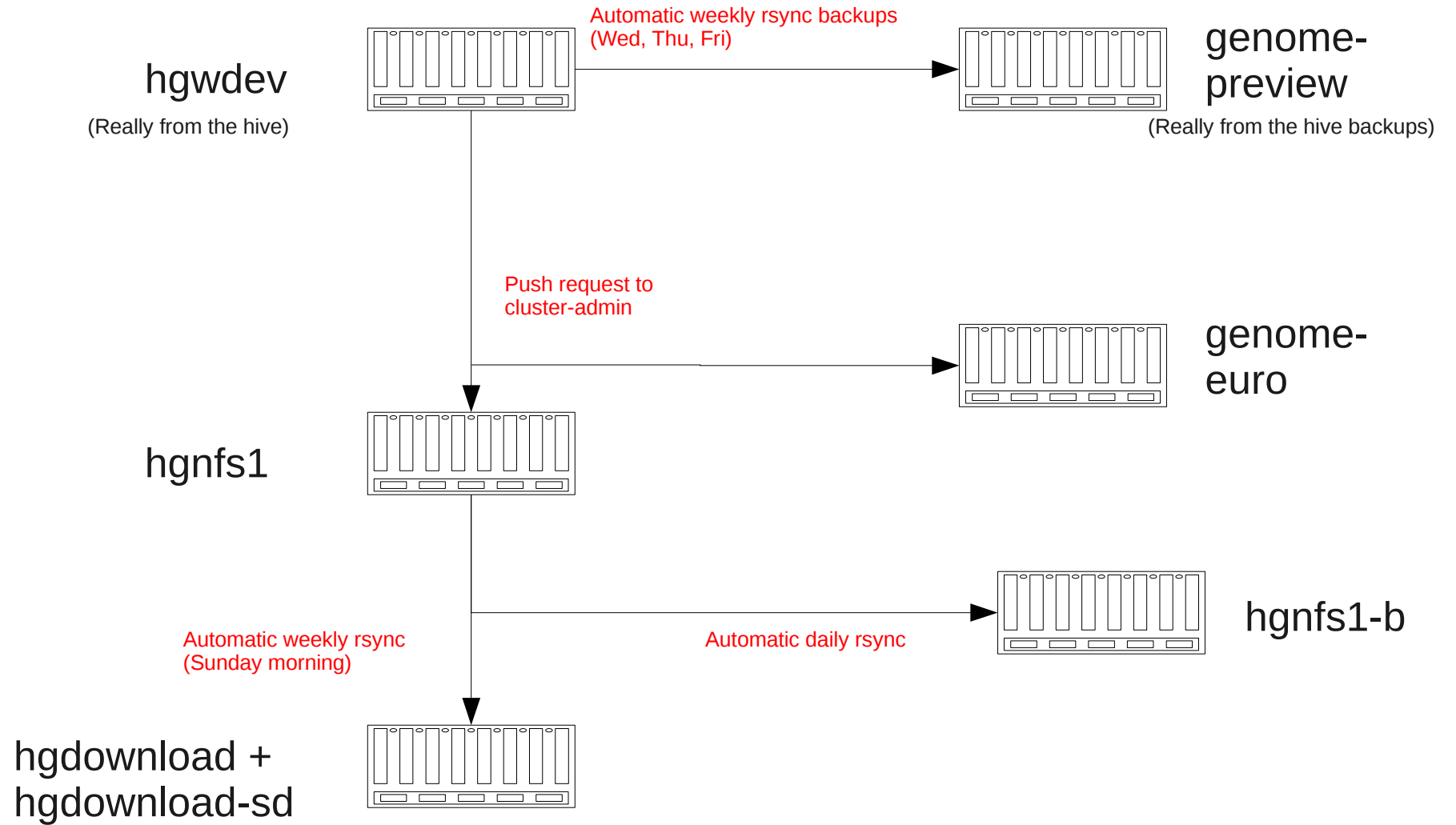


# MYSQL HGCENTRAL FLOW



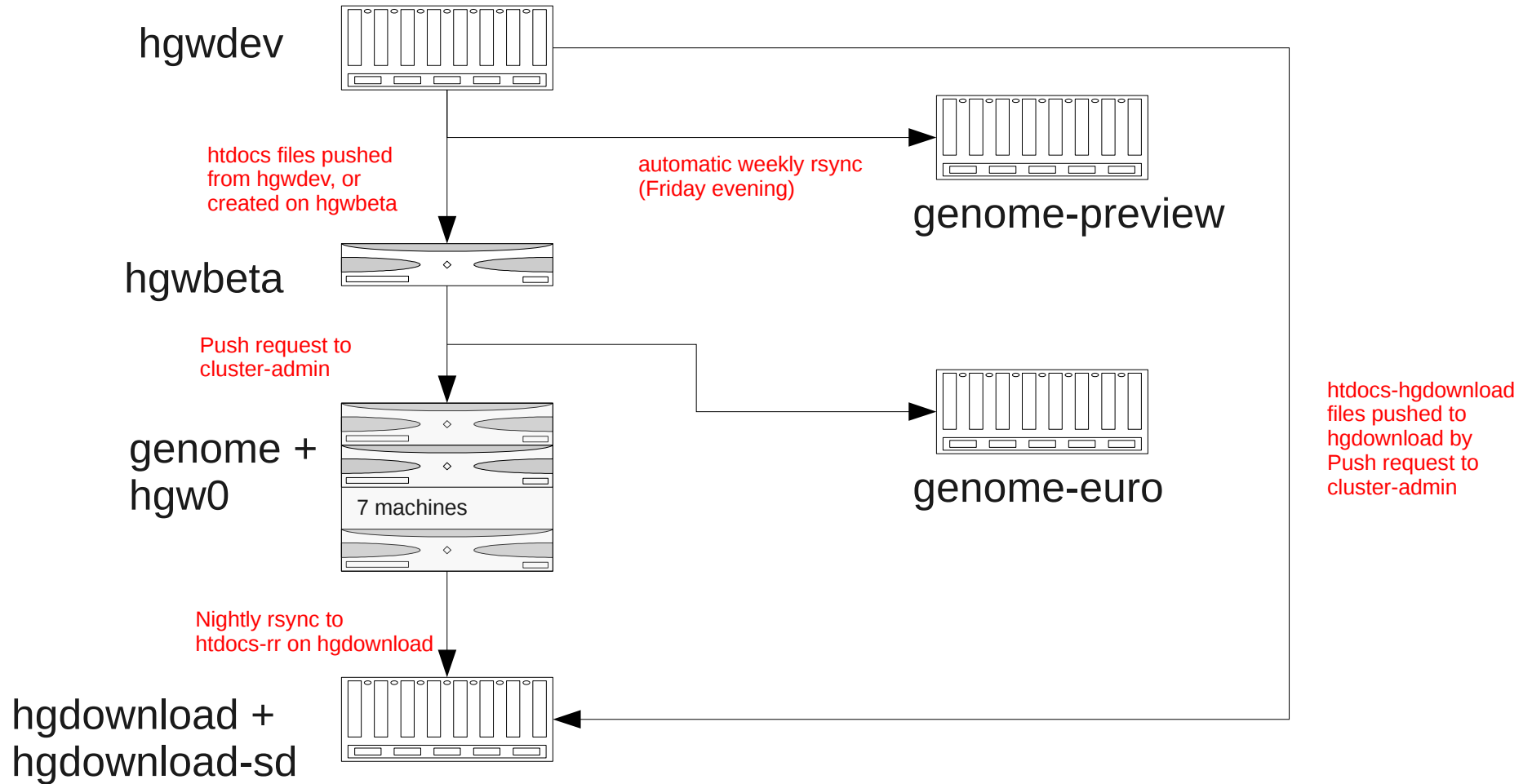


# GBDB DATA FLOW





# STATIC DOCS DATA FLOW



# DOWNLOAD DATA FLOW

